



Quality Built to Protect  
Both Research and Researchers



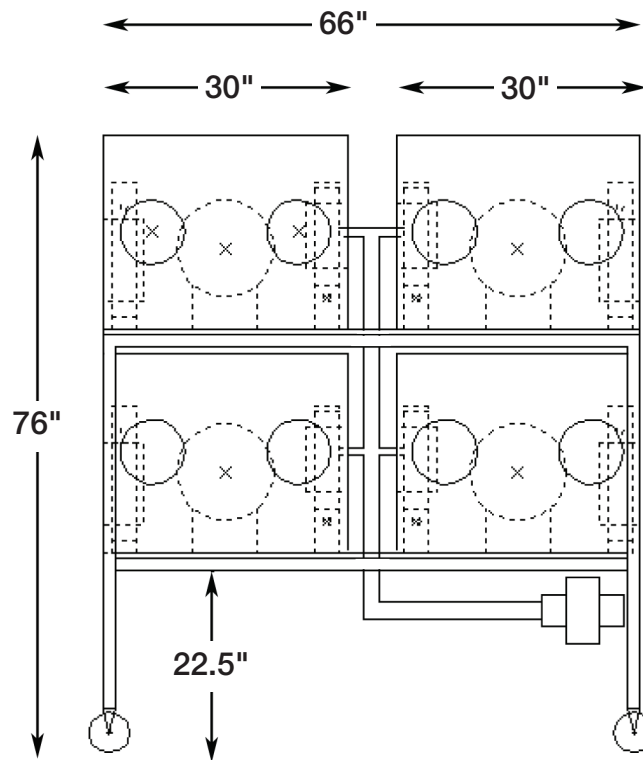
**Class Biologically Clean, Ltd**

810 Stewart Street  
Madison, WI 53713

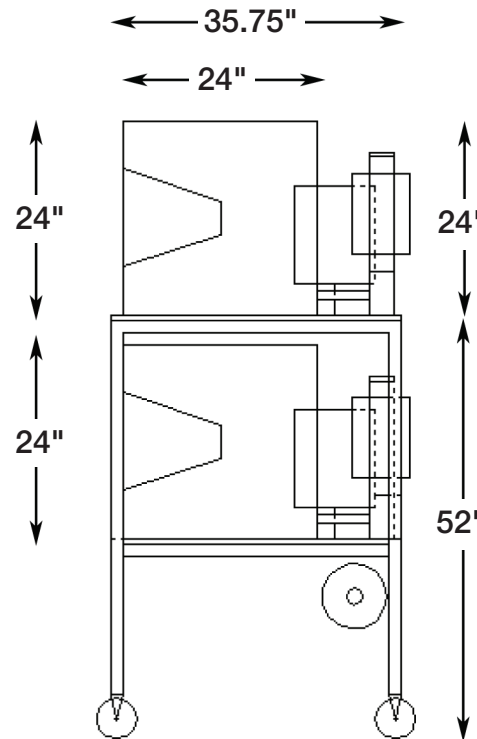
phone: 608.273.9661

fax: 608.273.9668

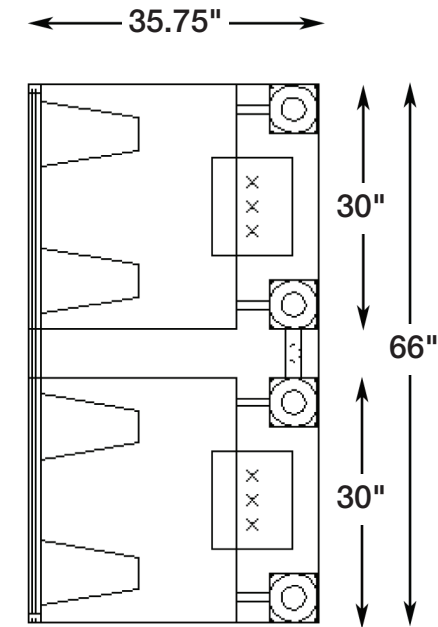
[www.cbcclean.com](http://www.cbcclean.com)



FRONT



SIDE



TOP

### Standard Positive 30" x 2' x 2' Double Tiered/Quad Isolator System

Model # 50302424122