



Quality Built to Protect  
Both Research and Researchers



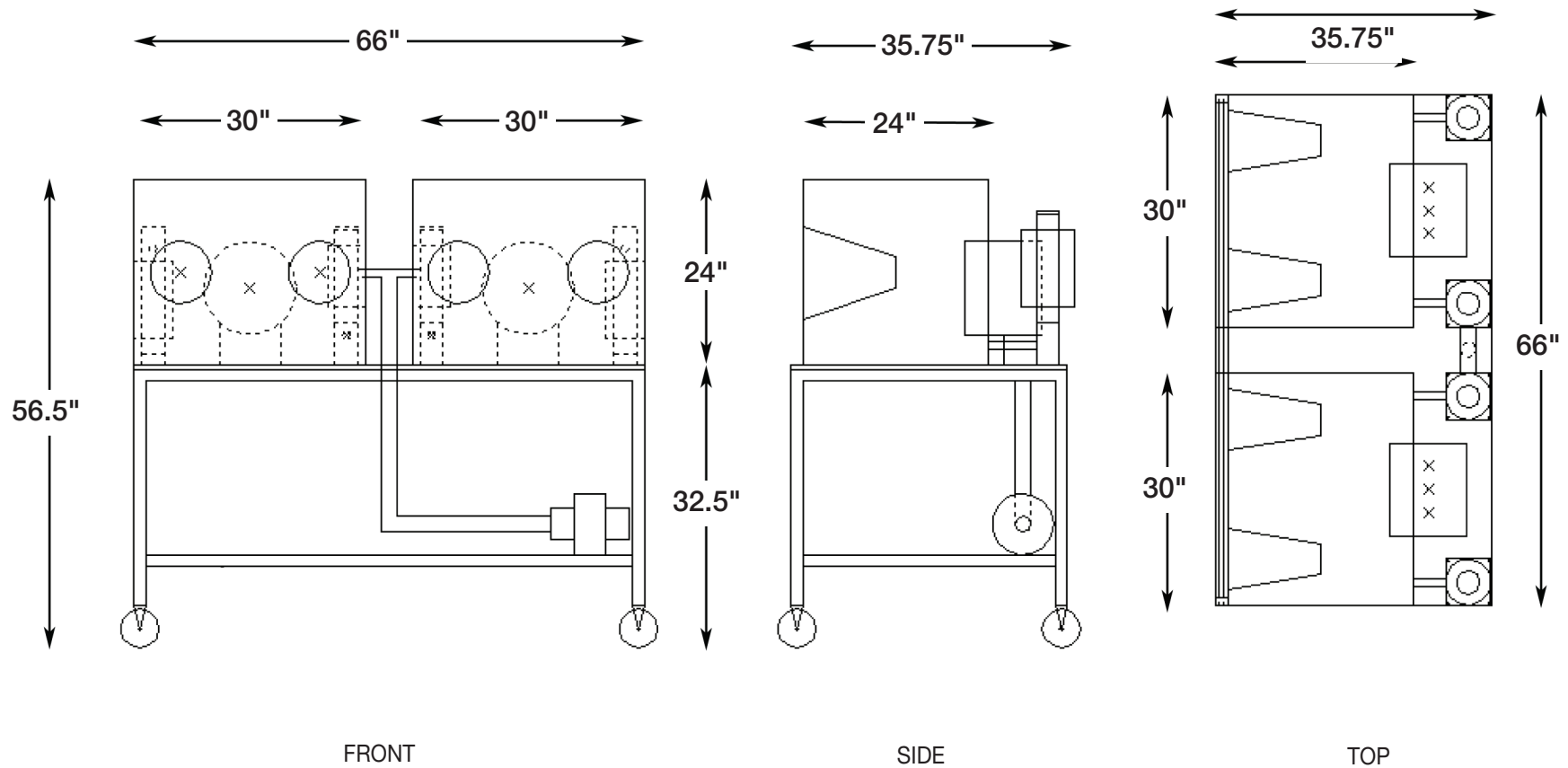
**Class Biologically Clean, Ltd**

810 Stewart Street  
Madison, WI 53713

phone: 608.273.9661

fax: 608.273.9668

[www.cbcclean.com](http://www.cbcclean.com)



**Standard Positive 30" x 2' x 2' Single Tiered/Double Isolator System**

Model # 50302424121A