



Quality Built to Protect
Both Research and Researchers



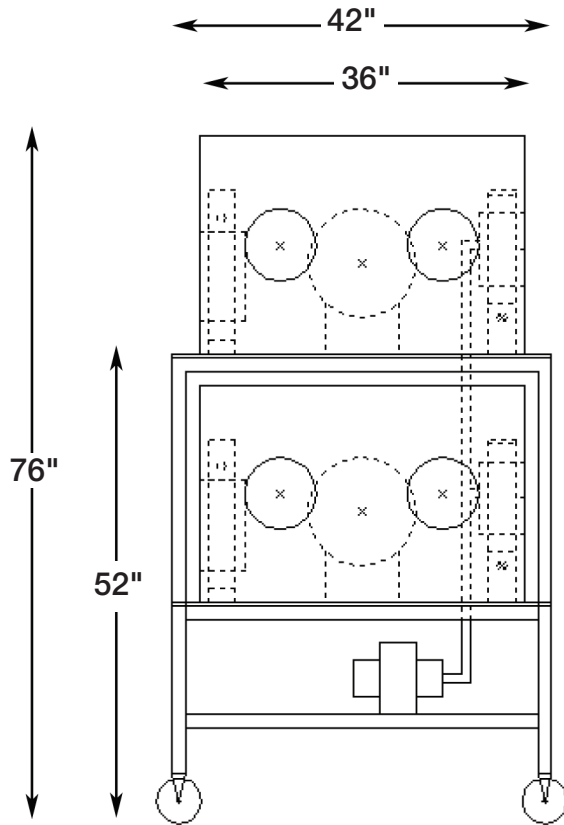
Class Biologically Clean, Ltd

810 Stewart Street
Madison, WI 53713

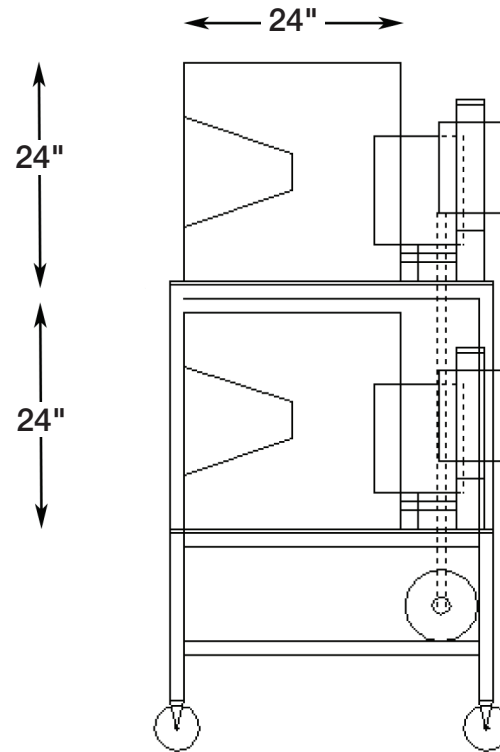
phone: 608.273.9661

fax: 608.273.9668

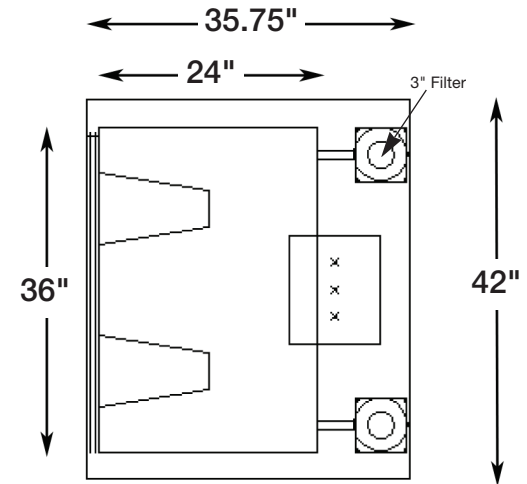
www.cbcclean.com



FRONT



SIDE



TOP

Standard Positive 3' x 2' x 2' Double Tiered Isolator System

Model # 50362424122