



Quality Built to Protect  
Both Research and Researchers



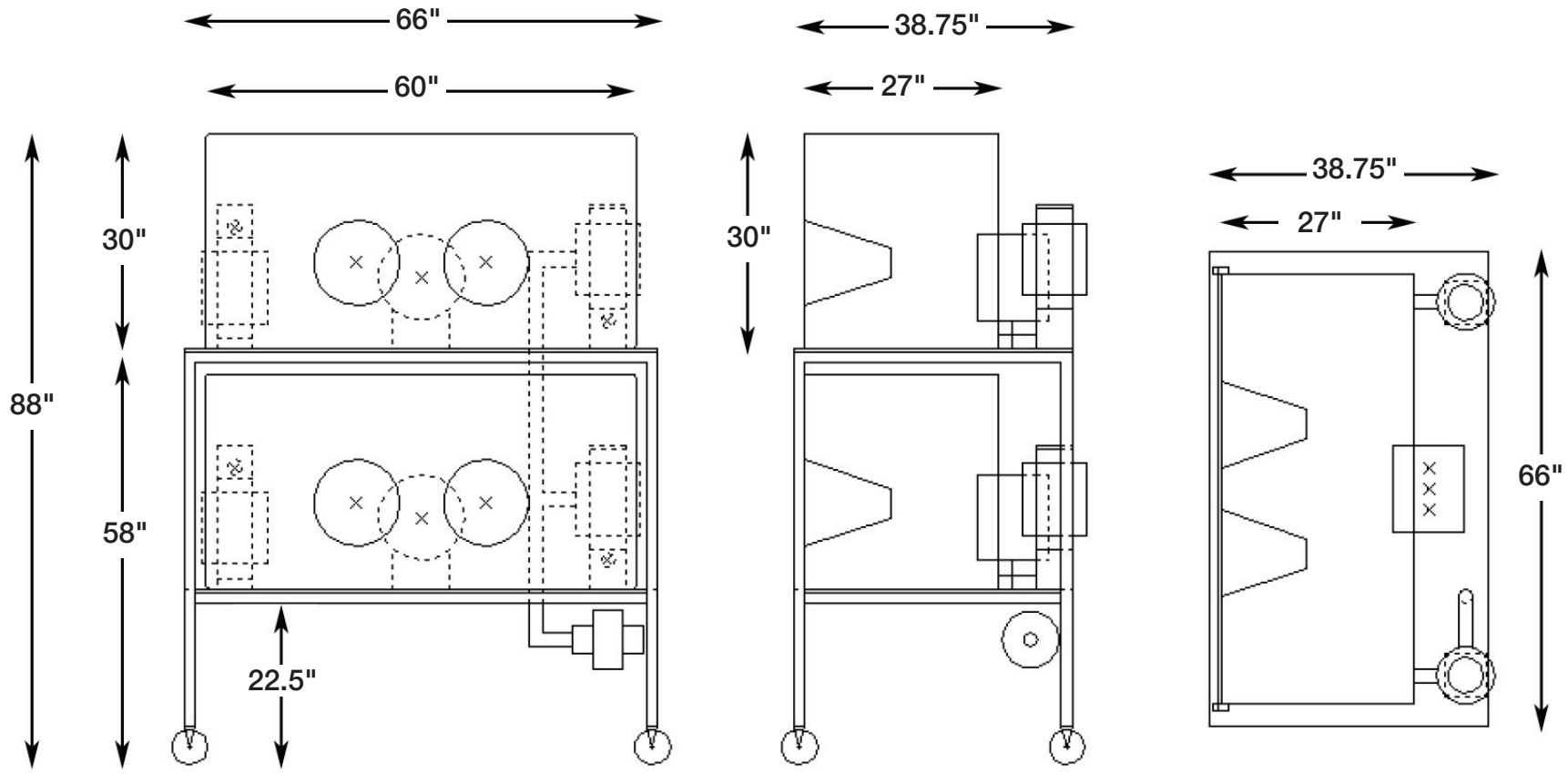
Class Biologically Clean, Ltd

810 Stewart Street  
Madison, WI 53713

phone: 608.273.9661

fax: 608.273.9668

[www.cbcclean.com](http://www.cbcclean.com)



FRONT

SIDE

TOP

**Standard EU 30" H x 27" D x 60" W Double Tiered Isolator System**